



Self-Priming Sanitary Pumps

AS series

Standard design

AS series sanitary self-priming pumps.

A close coupled design with independent shaft support and standard IEC motors. The ability of these pump to maintain a vacuum under varying suction conditions, makes them ideal for applications where the incoming liquid contains gas or air, such as vessel scavenging, the handling of foaming liquids or where the suction pipe is only partially flooded.

Prior to the first start-up, they must be initially filled with liquid; subsequently, liquid remains in the pump, allowing rapid self-priming to occur, even if the suction pipe is emptied.

The construction materials and the quick disassembly design make the AS series particularly suitable for a wide range of applications.

All CF-3M 1.4404 / AISI 316L stainless steel parts.

Investment cast components with electro-chemical polishing.

Stainless steel adjustable feet.

Seals:

Mechanical seals with seats to EN 12756, ISO 3069 standards.

Single internal mechanical seal

Flushed mechanical seal

Double flushed mechanical seal

Elastomers (certified to FDA):

EPDM

Fluorocarbon (Viton)

Silicone

P.T.F.E. (FEP)

Connections:

DIN - SMS - IDF - BS / RJT - DS - CLAMP and EN 1092-1 PN16 flanges to suit most international standards.

Applications

AS series pumps incorporate design features and material technologies that enable them to fulfil a wide range of operational requirements within the food, beverage, dairy, pharmaceutical and chemical industries. They are especially suited for clear low viscosity fluids: CIP solutions, water, juices, wine, spirits, chemicals and pharmaceutical media, in CIP scavenge/return and tank emptying duties.

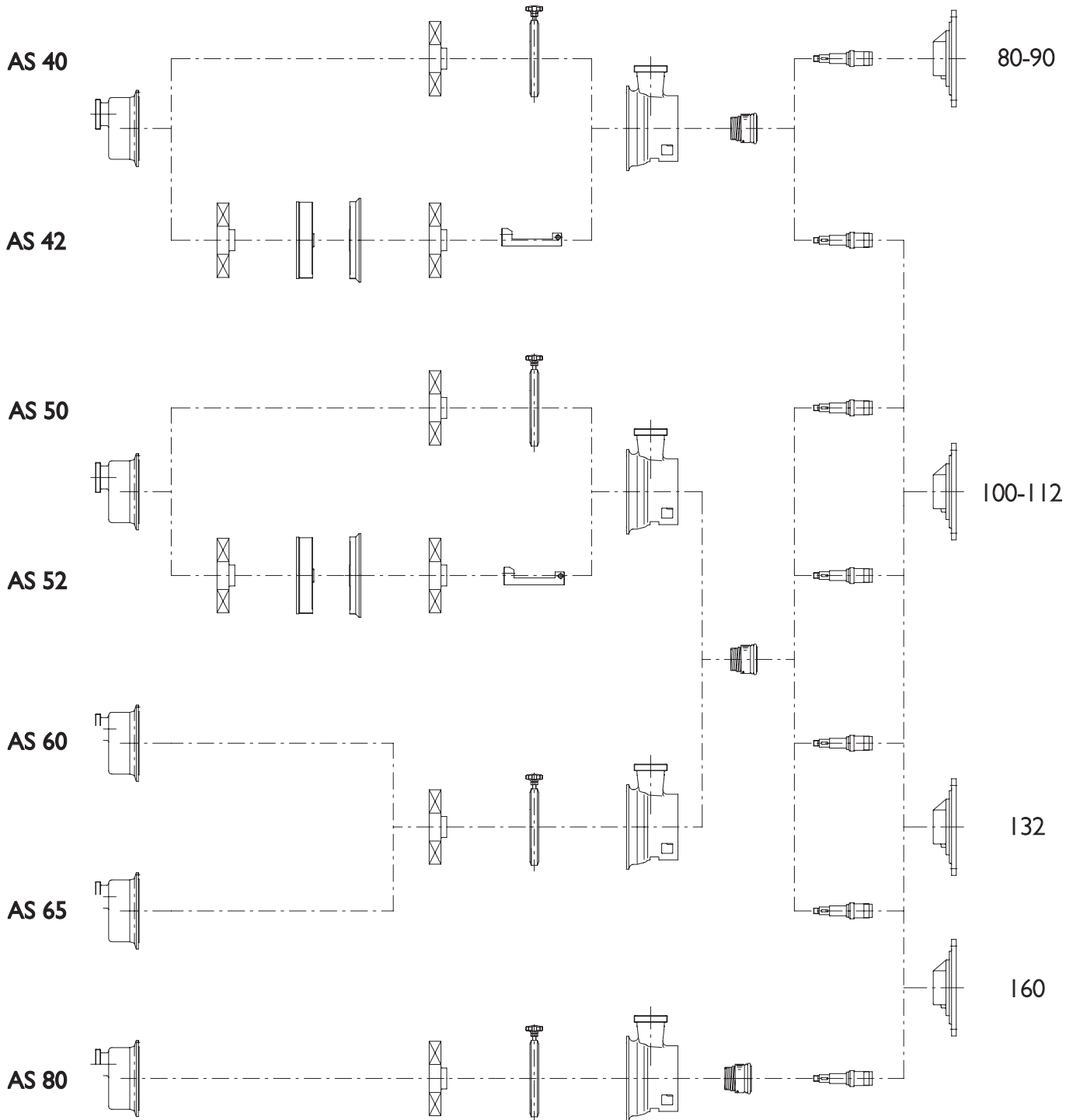


AS single-stage pump

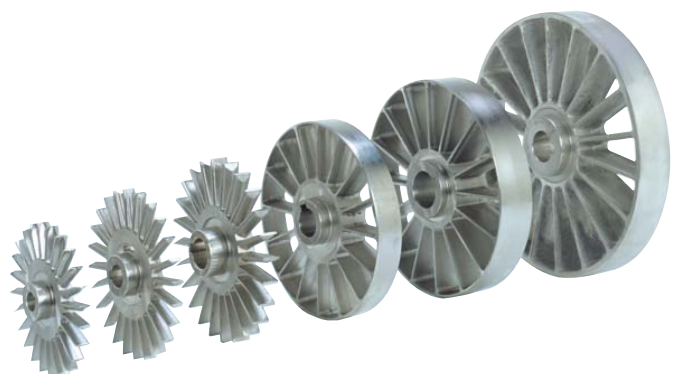


AS 2-stage pump

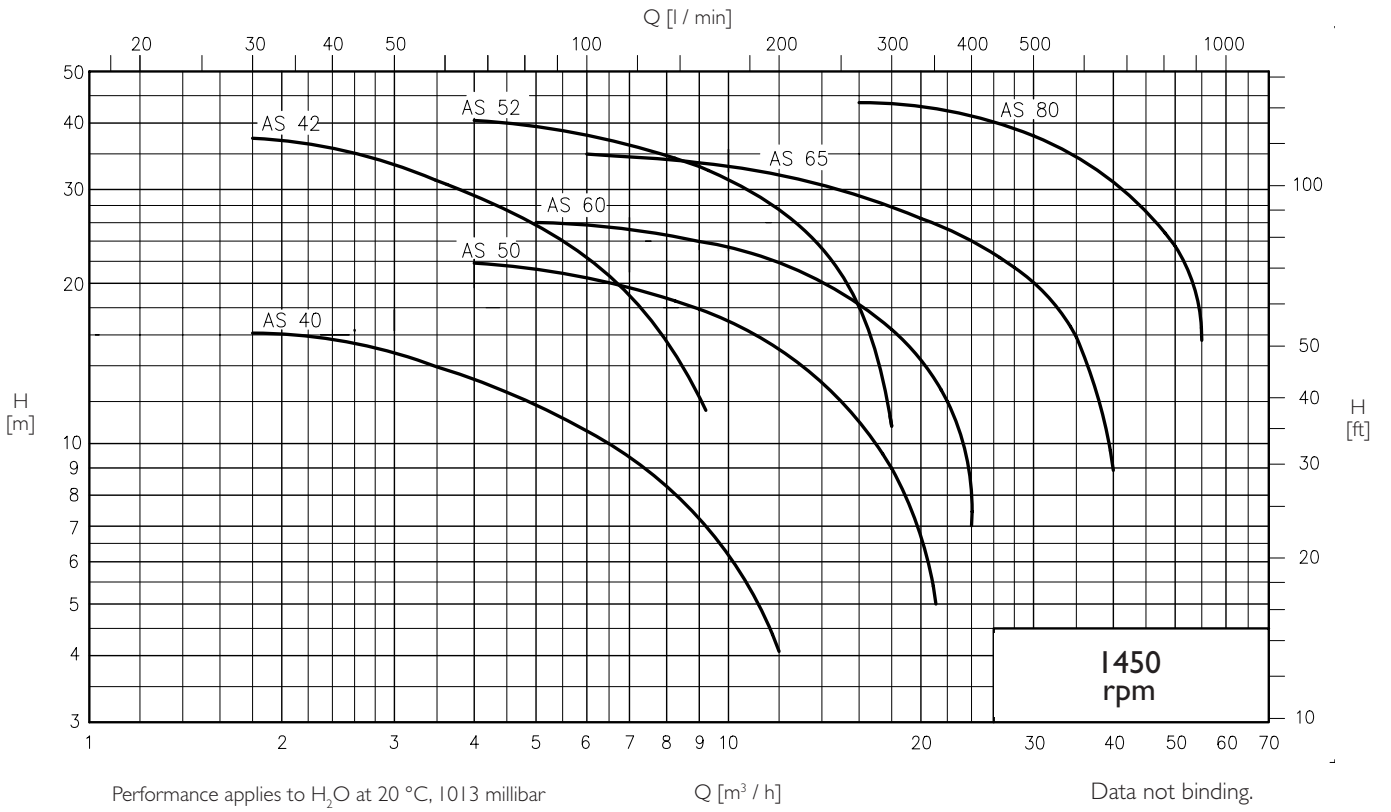
A range of 4 single-stage and 2 two-stage versions.



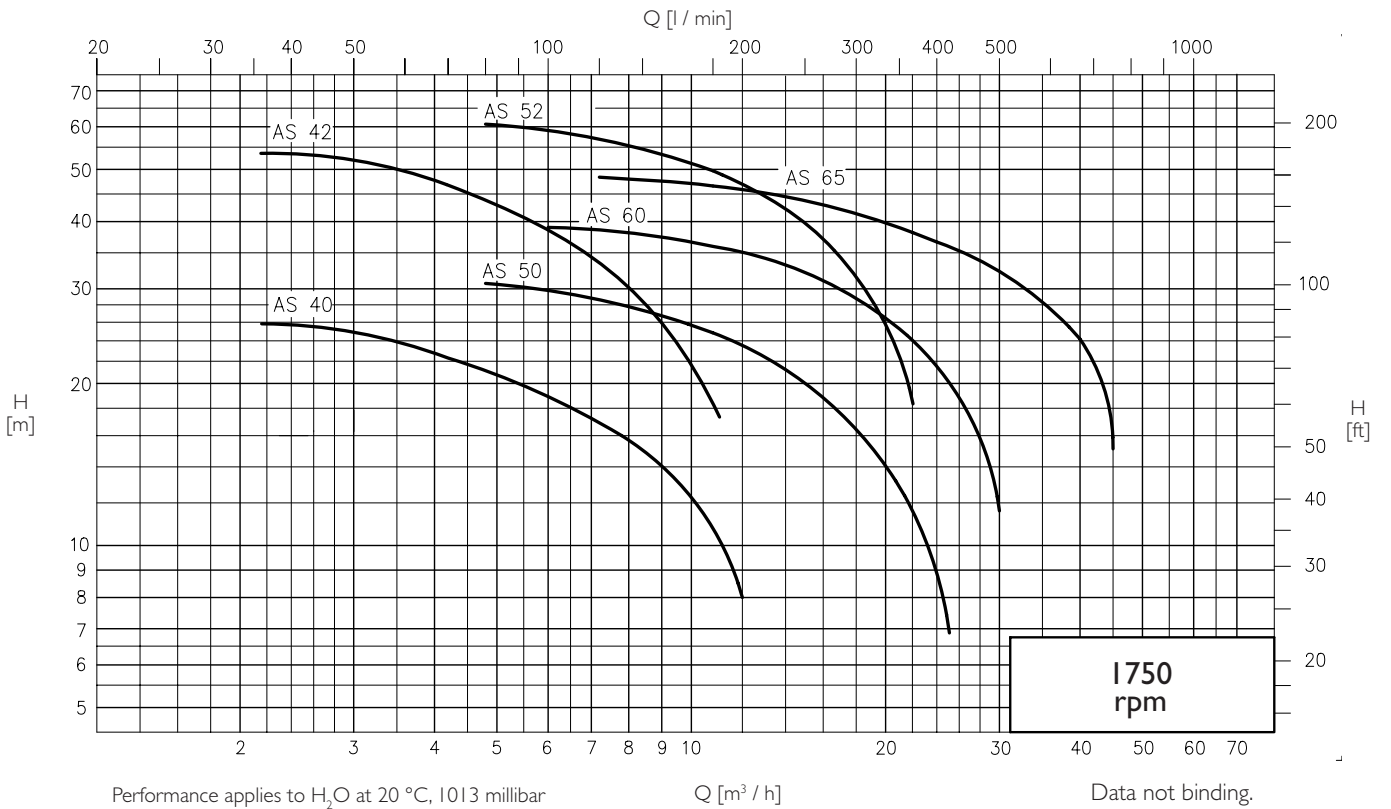
Star-shaped impellers in CF-3M 1.4404 / AISI 316L stainless steel achieved with micro-casting procedure.



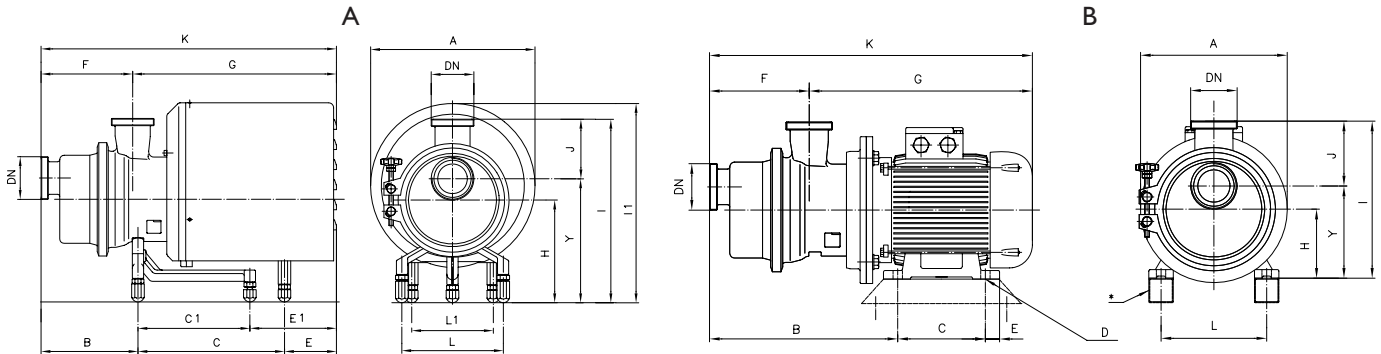
GENERAL DIAGRAM - 50 Hz



GENERAL DIAGRAM - 60 Hz



OVERALL DIMENSIONS



* Motor shims on request

A = with shroud

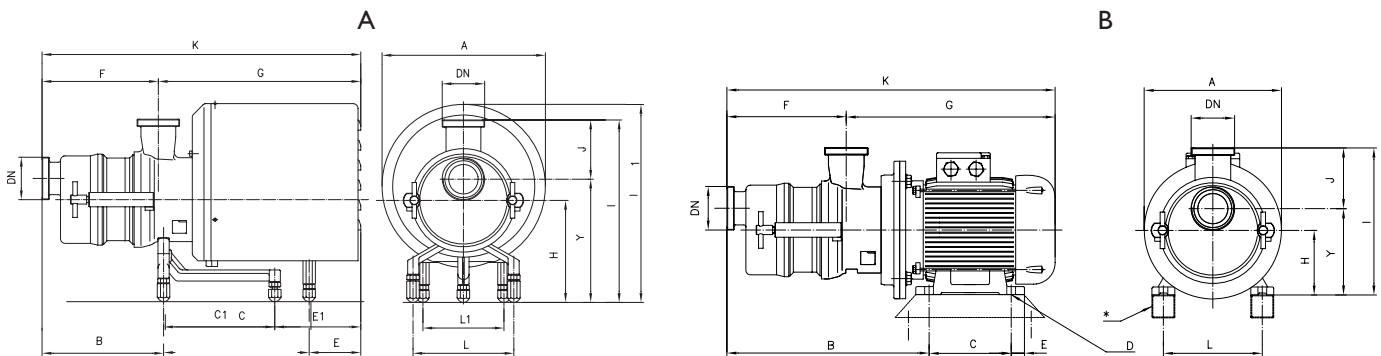
Dimensions not binding - DN = DIN 11851 male threaded connections, with standard IEC/EN motors

Pumps	1450 rpm	kW	DN	A	B	C	C1	E	E1	F	G	K	H	J	I	II	Y	L	LI
AS 40		1,1	40	238	168	-	190	-	222	143	438	581	160	110	305	297	195	178	-
	1,5	40	238	168	-	190	-	222	143	438	581	160	110	305	297	195	178	-	
	2,2	40	298	169	-	301	-	179	143	506	649	190	110	335	354	225	225	-	
AS 50	2,2	50	298	196	-	301	-	186	175	509	684	230	115	364	377	249	225	-	
	4	50	298	196	-	301	-	186	175	509	684	230	115	364	377	249	225	-	
AS 60	4	65	370	216	-	301	-	187	205	499	704	230	135	392	429	257	225	-	
	5,5	65	370	226	324	-	226	-	225	551	776	230	135	408	445	273	225	115	
AS 65	5,5	65	370	226	324	-	226	-	225	551	776	230	135	408	445	273	225	115	
	7,5	65	370	226	324	-	226	-	225	551	776	230	135	408	445	273	225	115	
AS 80	11	80	360	267	485	-	347	-	248	861	1108	228	160	446	520	286	225	140	
	15	80	360	267	485	-	347	-	248	861	1109	228	160	446	520	286	225	140	

B = without shroud

Dimensions not binding - DN = DIN 11851 male threaded connections, with standard IEC/EN motors

Pumps	1450 rpm	kW	DN	A	B	C	D	E	F	G	K	H	J	I	Y	L	M	N	O
AS 40		1,1	40	200	296	100	9	22	143	380	523	90	110	235	125	140	-	-	-
	1,5	40	200	296	125	9	22	143	380	523	90	110	235	125	140	-	-	-	
	2,2	40	250	308	140	12	18	143	416	559	100	110	245	135	160	-	-	-	
AS 50	2,2	50	250	343	140	12	18	175	419	594	100	115	251	136	160	-	-	-	
	4	50	250	351	140	12	18	175	441	616	112	115	263	148	190	-	-	-	
AS 60	4	65	250	372	140	12	20	205	431	636	112	135	292	157	190	-	-	-	
	5,5	65	300	412	140	12	20	204	492	696	132	135	312	177	216	-	-	-	
AS 65	5,5	65	300	412	140	12	20	204	492	696	132	135	312	177	216	-	-	-	
	7,5	65	300	423	178	12	20	215	492	707	132	135	312	177	216	-	-	-	
AS 80	11	80	350	555	210	14	23	248	677	925	160	160	378	218	254	-	-	-	
	15	80	350	555	254	14	23	248	677	925	160	160	378	218	254	-	-	-	



* Motor shims on request

A = with shroud

Dimensions not binding - DN = DIN 11851 male threaded connections, with standard IEC/EN motors

Pumps	1450 rpm	kW	DN	A	B	C	C1	E	E1	F	G	K	H	J	I	II	Y	L	LI
AS 42		2,2	40	298	220	-	231	-	203	205	520	725	190	110	335	354	225	225	-
	3	40	298	220	-	231	-	203	205	520	725	190	110	335	354	225	225	-	
AS 52	5,5	50	370	258	292	-	267	-	237	580	817	230	115	381	417	266	225	115	

B = without shroud

Dimensions not binding - DN = DIN 11851 male threaded connections, with standard IEC/EN motors

Pumps	1450 rpm	kW	DN	A	B	C	D	E	F	G	K	H	J	I	Y	L	M	N	O
AS 42		2,2	40	250	365	140	12	18	200	416	616	100	110	245	135	160	-	-	-
	3	40	250	365	140	12	18	200	416	616	100	110	245	135	160	-	-	-	
AS 52	5,5	50	300	454	140	12	20	237	502	739	132	115	283	168	216	-	-	-	



CSF Inox S.p.A. Strada per Bibbiano, 7 - 42027 Montecchio E. (RE) - ITALY EU
Ph +39.0522.869911 r.a. - Fx +39.0522.865454 / 866758 - csfitalia@csf.it - www.csf.it

Export Department • Commercial Étranger • Comercial Extranjero

Ph +39.0522.869922 - Fx +39.0522.869841 - csfexport@csf.it - www.csf.it